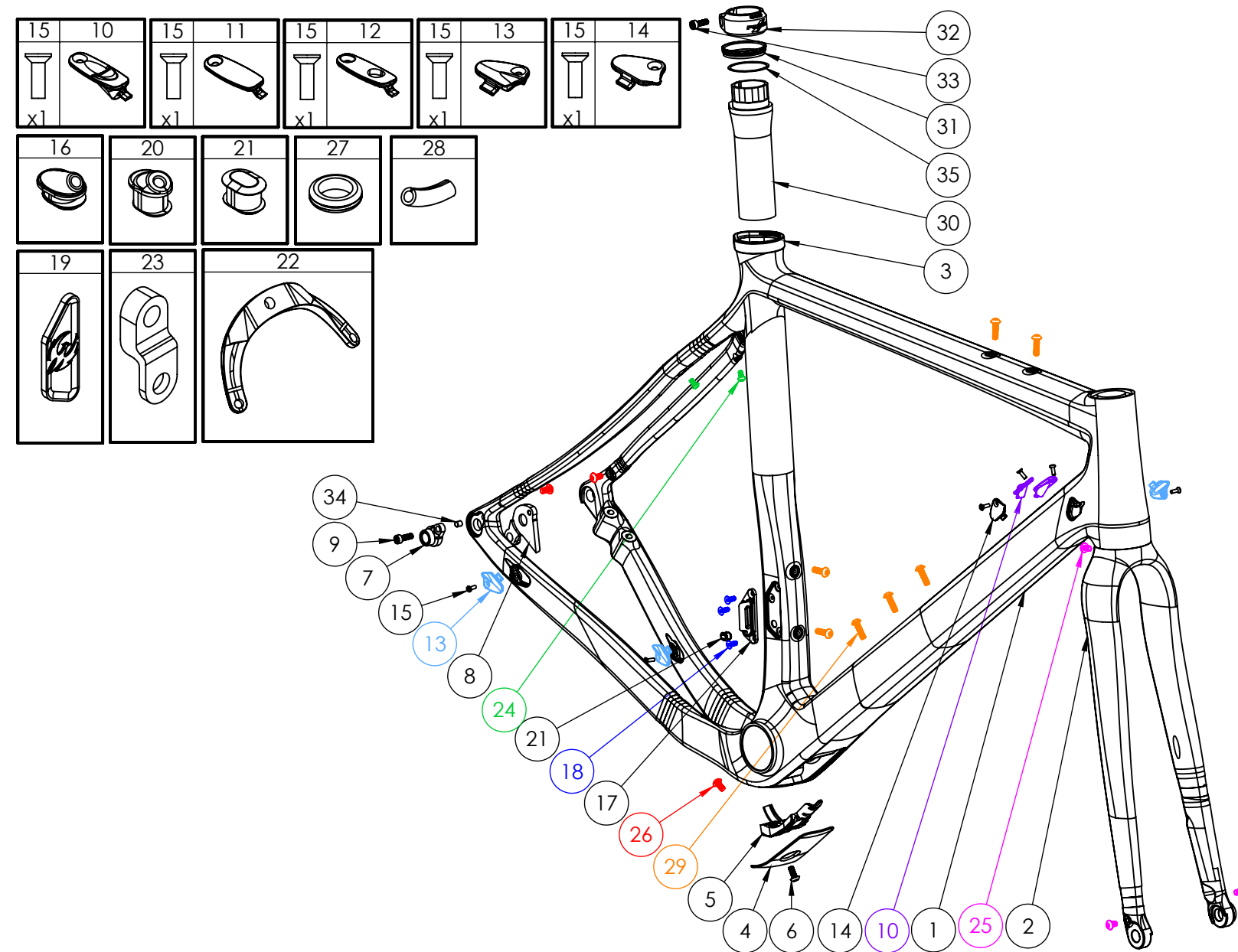


**VAULT V3**

NUMBER	PART NAME	DESCRIPTION	Torque	*
4	FP-CVR-BB-CBLPORT-V1-R1	Vault Bottom Bracket Cable Port Cover		
5	FP-GDE-BB-VLT-V1-R1	Vault Bottom Bracket Cable Guide		
6	FP-SCW-BTN-M5*12	M5x12 Button Head Screw		
7	FP-RDH-NUT-12MM-BLK-V1	Rear Derailleur Hanger SS Nut 12mm TA (Black Anodized)		
8	FP-RDH-TA-12MM-BLK-V4	Vault Derailleur Hanger		
9	FP-SCW-SCK-M5*16	M5x16 Rear Derailleur Screw	3 Nm (2 lb-ft)	
10	FP-STP-SHFT-V2	Internal Routing Shifter Stop		
11	FP-CVR-MECH-FRM-V1	Internal Routing Frame Cap		
12	FP-CVR-DI2-FRM-V1	Di2 Wire Guide Cover		
13	FP-CLM-MECH-FRM-V1	Internal Routing Cable Clamp		
14	FP-CVR-MECH-FRM-V2	Internal Routing Hole Cover		
15	FP-SCW-FLT-M3*10	M3x10 Cable Clamp Screw (Included w/ Clamp)		
16	FP-GDE-DI2-7*8*2.5*2.5	7x8mm Di2 Wire Guide		
17	FP-FDM-BRZON-VLT-V1-R1	Front Derailleur Mount (Braze-On)		
18	FP-SCW-FLT-M4*10-V1-R1	M4x10mm Front Derailleur Mount Bolts		
19	FP-PLG-FD-56.8*20.8*3-V1-R1	Front Derailleur Plug		
20	FP-GDE-DI2-7*8*5*2.5	7x8mm Di2 Wire Guide Ext'd for Di2 FD		
21	FP-PLG-DI2-7*8*5	7x8mm Di2 Plug Ext'd		
22	FP-MNT-FDR-UPPER-V1-R1	Upper Fender Mount		
23	FP-MNT-FDR-LOWER-V1-R1	Lower Fender Mount		
24	FP-SCW-BTN-M4*8-V1-R1	M4x8 Fender Mounting Bolts		
25	FP-SCW-BTN-M5*8	M5x8 Button Head Screw		
26	FP-SCW-BTN-M5*10	M5x10 Button Head Screw		
27	FP-GRM-20MM-BLK-V1-R1	Di2 Battery Anti-rattle Grommet		
28	FP-CLM-DI2-SLV-BLK-V1	Di2 Wire Sleeve for Cable Clamps		
29	PIVOT WB BOLTS V2	M5x0.8x18 Zinc Plated Steel Water Bottle Bolts		
30	FP-SLV-STPOST-27.2-V1-R1	27.2mm Seat Post Insert for Rigid Post		
30	FP-SLV-STPOST-30.9-V1-R1	30.9mm Seat Post Insert for Dropper Post		
31	FP-CLM-STPOST-LKRING-V1-R1	Seat Post Lockring		
32	FP-CLM-FLXPOST-27.2-V1-R1	27.2mm Seat Post Clamp		
32	FP-CLM-FLXPOST-30.9-V1-R1	30.9mm Seat Post Clamp		
33	FP-SCW-SCK-M5*15	Seat Post Clamp Screw	5 Nm (4 lb-ft)	
34	FP-RDH-SLV-VAULT-V1-R1	Rear Derailleur Hanger Sleeve		
35	FP-WSH-FLEXPOST-V1-R1	Iso Flex Washer		
99	157MM THROUGH AXLE V3	12x1.5x142mm Thru Axle w/ Washer		○



\*\* See Bearing Assembly Procedure located in the tech specs section at www.pivotcycles.com

\* ○ = grease ● = anti-seize ◐ = anti-seize or grease □ = loctite 243