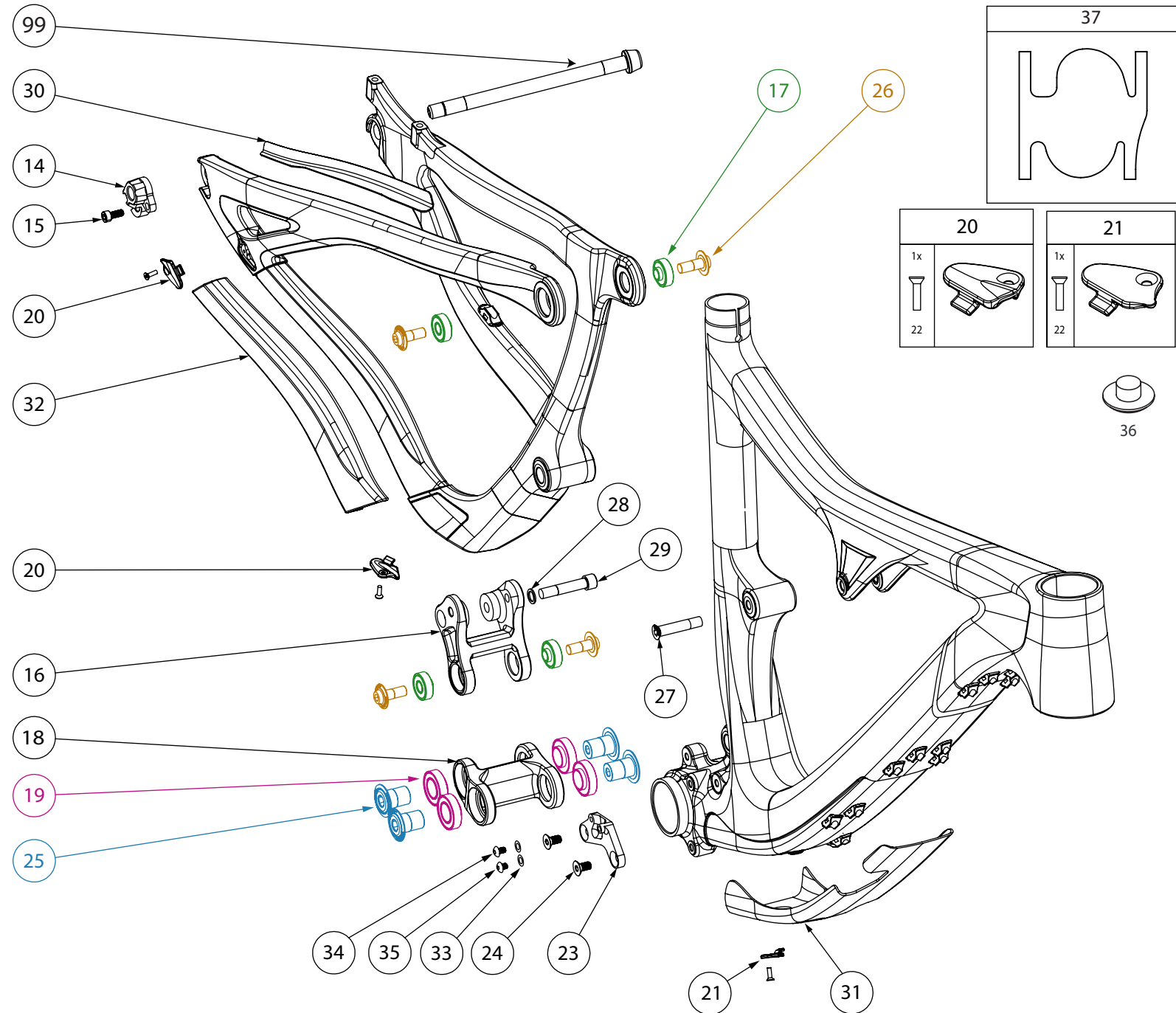


MACH 429 TRAIL

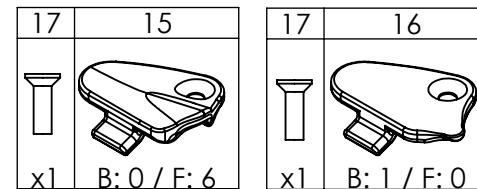
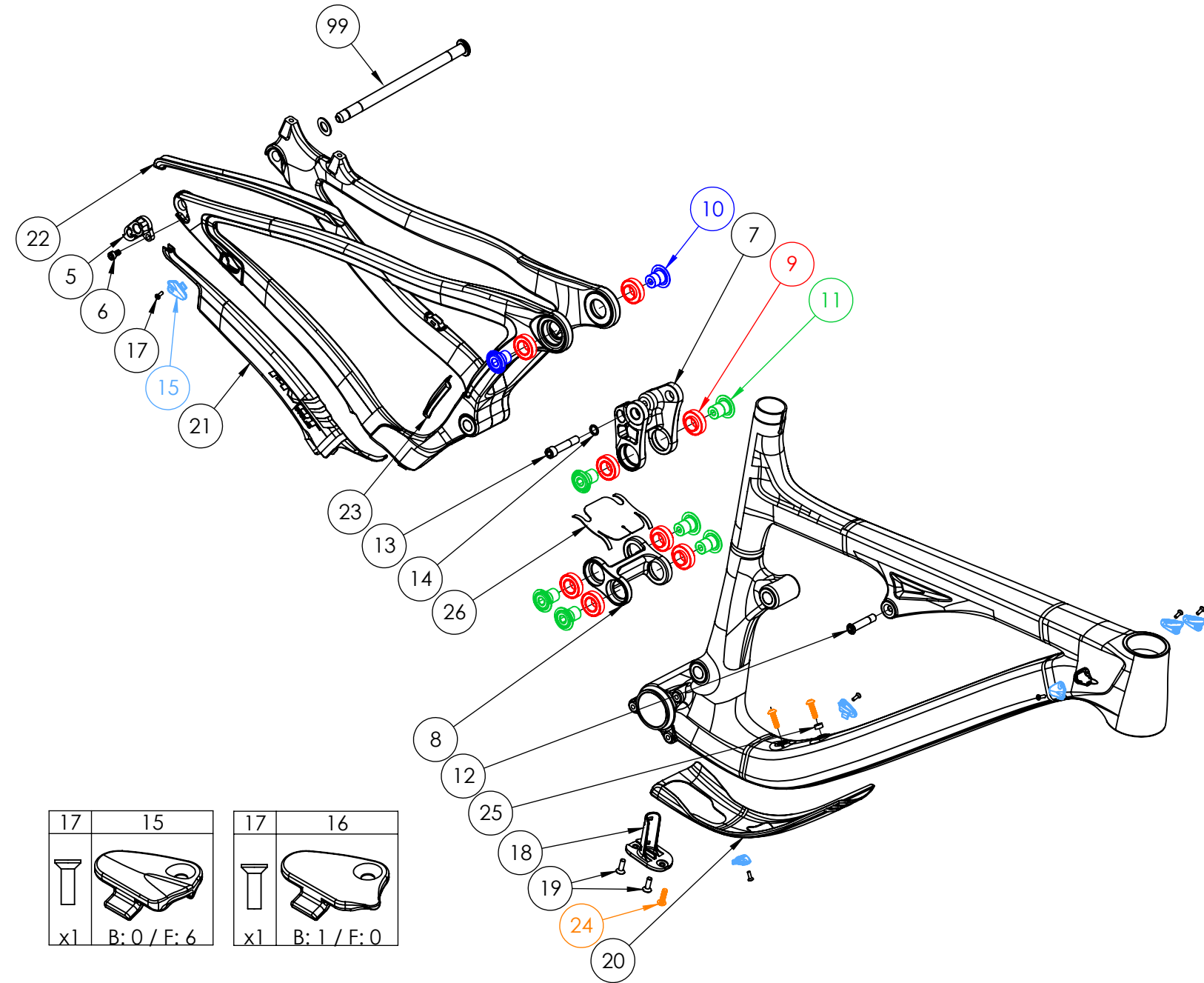
NUMBER	PART NAME	DESCRIPTION	Torque	*
14	FP-RDH-TA-12MM-BLK-V1	REAR DERAILLEUR HANGER THROUGH AXLE 12MM BLACK V1		
15	FP-SCW-SCK-M5*10	SCREW SOCKET 5X10	7 Nm (5 lb-ft)	□
16	FP-LNK-UL-55MM-V2-R1	LINK UPPER 55MM VER2 REV1		
17	FP-BRG-608-LLUMAXE	608 LLU MAX-E		
18	FP-LNK-LL-BLK-V4-R1	LINK LOWER BLACK VER4 REV1		
19	FP-BRG-6902-LLUMAXECN	6902 LLU MAX-E CN		
20	FP-CLM-MECH-FRM-V1	CLAMP MECHANICAL FRAME		
21	FP-CVR-MECH-FRM-V2	COVER MECHANICAL FRAME V2		
22	FP-SCW-FLT-M3*10	SCW FLAT 3X10		
23	FP-FDM-ETYPE-V2-R1	FD MOUNT E TYPE V2 REV1		
24	FP-SCW-FLT-M6*12	FLATHEAD SCREW M6 x 12L	10 Nm (7 lb-ft)	□
25	FP-BLT-M14*20-BLK-V2	BOLT 14*20 BLACK V2	35 Nm (27 lb-ft)	□
26	FP-BLT-M8*20-BLK	BOLT 8X20 BLACK	13 Nm (10 lb-ft)	□
27	FP-BLT-M8*38-BLK	BOLT 8X38 BLACK	13 Nm (10 lb-ft)	●
28	FP-WSH-81*120*1W	WASHER 81 X 120 X 1W		
29	FP-BLT-M8*40-BLK	BOLT 8X40 BLACK	13-15 Nm (10-11 lb-ft)	□
30	M429CTL SEATSTAY GUARD	M429CTL SEATSTAY GUARD		
31	M429CTL DT GUARD V2	M429CTL DT GUARD		
32	M429CTL CHAINSTAY GUARD	M429CTL CHAINSTAY GUARD		
33	FP-WSH-51*100*1W	WASHER 51 X 100 X 1W		
34	FP-SCW-BTN-M5*12	SCREW BUTTON 5X12	3 Nm (26 in-lb)	□
35	FP-SCW-BTN-M5*10	SCREW BUTTON 5X10	3 Nm (26 in-lb)	□
36	FP-PLG-MNT-6MM	PLUG MOUNT 6MM		
37	FP-PRO-34MM-LL-V1-R1	34mm Lower Link Protector		
99	148MM THROUGH AXLE	148MM THRU AXLE W/ WASHER		



* ○ = grease ● = anti-seize ◉ = anti-seize or grease □ = loctite 243

TRAIL429

NUMBER	PART NAME	DESCRIPTION	Torque	*
5	FP-RDH-TA-12MM-BLK-V3	Rear Derailleur Hanger 12mm TA		
6	FP-SCW-SCK-M5*10	M5x10 Rear Derailleur Hanger Screw	7 Nm (5 lb-ft)	○
7	FP-LNK-UL-59MM-DSM-V1	59mm Direct Shock Mount Upper Link		
8	FP-LNK-LL-34MM-EXT-V1	34mm Out-to-Out Extended Lower Link		
9	FP-BRG-6902-LLUMAXECN	28mm 6902 Ext'd Max-E Bearing	**	
10	FP-BLT-M14*17-BLK	M14x17 Link Bolt	35 Nm (27 lb-ft)	□
11	FP-BLT-M14*20-BLK-V2	M14x20 Link Bolt	35 Nm (27 lb-ft)	□
12	FP-BLT-M8*38-BLK	M8x38 Front Shock Bolt	13 Nm (10 lb-ft)	○
13	FP-BLT-M8*40-BLK	M8x40 Rear Shock Bolt	13 Nm (10 lb-ft)	□
14	FP-WSH-81*120*1W	M8 Shock Bolt Washer		
15	FP-CLM-MECH-FRM-V1	Internal Routing Cable Clamp		
16	FP-CVR-MECH-FRM-V2	Internal Routing Hole Cover		
17	FP-SCW-FLT-M3*10	M3x10 Cable Clamp Screw (Included w/ Clamp)		
18	FP-CVR-DI2-DT-V1	Di2 Downtube Battery Holder		
19	FP-SCW-FLT-M5*16	M5x16 Di2 DT Battery Cover Screws (Included with cover)		
20	FP-PRO-M429TRLV2-DT-V1-R1	Mach 429 Trail V2 Downtube Protector		
21	FP-PRO-M429TRLV2-CS-V1-R1	Mach 429 Trail V2 Chain Stay Protector		
22	FP-PRO-M429TRLV2-SS-V1-R1	Mach 429 Trail V2 Seat Stay Protector		
23	FP-PRO-M429TRLV2-UR-V1-R1	Mach 429 Trail V2 Upright Protector		
24	PIVOT WB BOLTS V2	M5x0.8x18 Zinc Plated Steel Water Bottle Bolts		
25	PIVOT WB BOLT SPACER V2	M5 Water Bottle Bolt Spacer		
26	FP-PRO-34MM-EXT-LL-V1-R1	34mm Out to Out Extended Lower Link Protector		
99	157MM THROUGH AXLE V3	157X12mm Bolt-on Thru Axle w/ Washer		○



** See Bearing Assembly Procedure located in the tech specs section at www.pivotcycles.com

* ○ = grease ● = anti-seize ◉ = anti-seize or grease □ = loctite 243