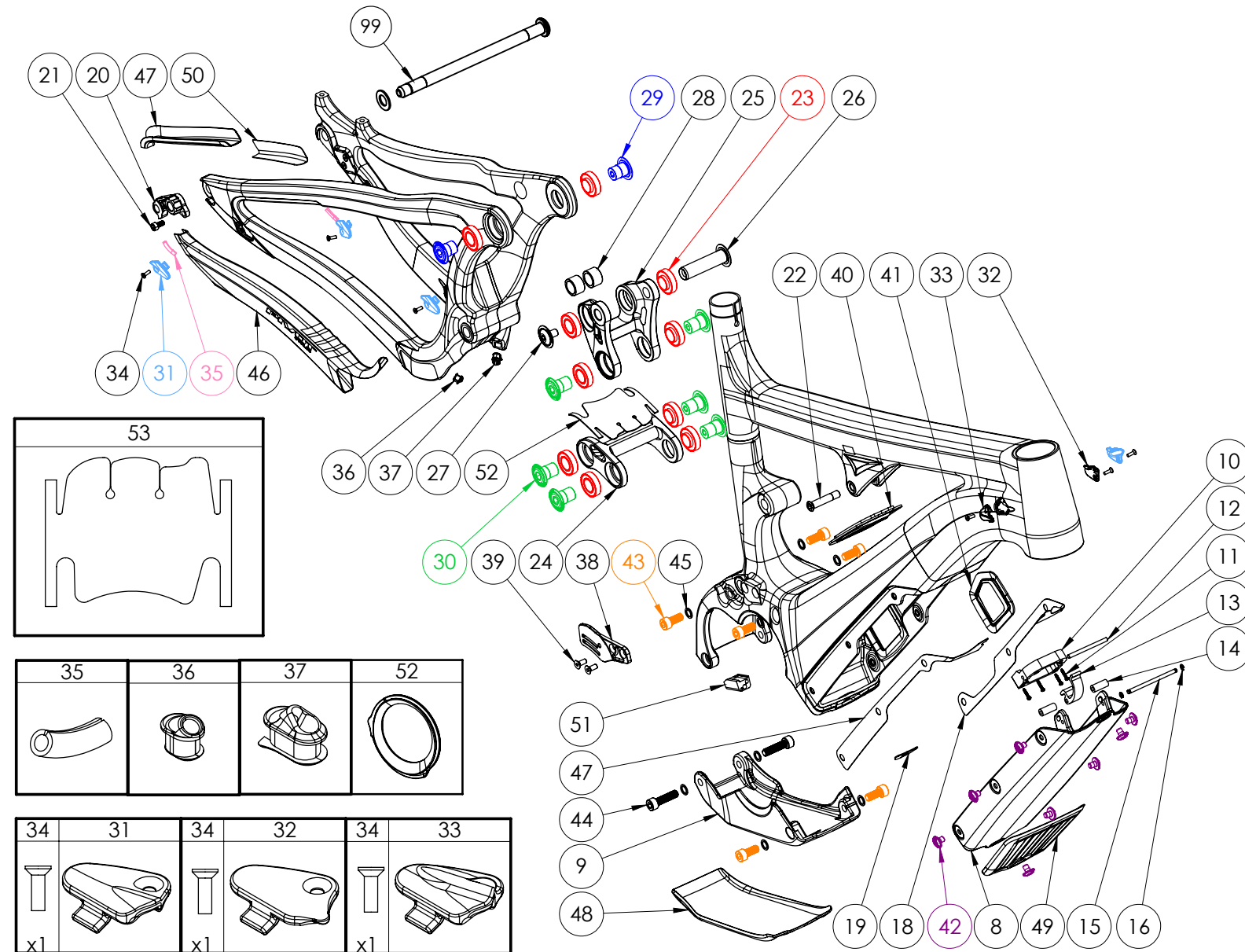


NUMBER	PART NAME	DESCRIPTION	Torque	*
8	FP-CVR-EBIKE-BATT ***-V1-R1	Battery Cover		
9	FP-CVR-EBIKE-SKD ***-V1-R1	Skid Plate (Team XTR Build)		
	FP-CVR-EBIKE-SKD ***-V2-R1	Skid Plate (Race XT Build)		
10	FP-MNT-FRNT-BATT-QR-V1	Front Battery Mount		
11	FP-SCW-BTN-M2.5*12-SLFTAP	M2.5x12 Self-tapping Torx Screws		
12	FP-MNT-FRNT-BATT-QR-V1	Quick Release Battery Mount Locking Pin		
13	FP-LVR-QR-BATT-V1-R1	Quick Release Battery Mount Lever		
14	FP-WSH-QR-BATT-V1-R1	Quick Release Battery Mount Spacer		
15	FP-PIN-M4-68MM-V1-R1	Quick Release Mounting Pin		
16	FP-CLP-RET-4MM-V1-R1	4mm Retention Clip		
17	FP-GKT-BATT-CVR-DS-V1	E-Bike Carbon DS Battery Cover Gasket		
18	FP-GKT-BATT-CVR-NDS-V1	E-Bike Carbon NDS Battery Cover Gasket		
19	FP-GKT-BATT-CVR-BLT-V1	E-Bike Carbon Rear Bolt Battery Cover Gasket		
20	FP-RDH-TA-12MM-BLK-V3	Rear Derailleur Hanger (XTR Pro Build)		
	FP-RDH-TA-12MM-BLK-V2	Direct Mount Rear Derailleur Hanger (XT Race Build)		
21	FP-SCW-SCK-M5*10	M5x10 Socket Screw for RD Hanger	7 Nm (5 lb-ft)	
22	FP-BLT-M8*38-BLK	M8x38 Front Shock Bolt	13 Nm (10 lb-ft)	●
23	FP-BRG-6902-LLUMAXECN	28mm 6902 Ext'd Max-E Bearing		
24	FP-LNK-LL-50MM-V1	50mm Out-to-Out Lower Link		
25	FP-LNK-UL-70MM-DSM-V1	70mm Direct Shock Mount Upper Link		
26	FP-PIN-SHK-M8*150-BLK	15x57mm M8 Rear Shock Pin	13 Nm (10 lb-ft)	□
27	FP-BLT-M8*12-BLK	M8x12 Rear Shock Bolt	13 Nm (10 lb-ft)	□
28	FP-WSH-SPC-M15*13	M15x13 Rear Shock Spacer		
29	FP-BLT-M14*17-BLK	M14x17 Upper Link Bolt	35 Nm (27 lb-ft)	□
30	FP-BLT-M14*20-BLK-V2	M14x20 Lower Link Bolt	35 Nm (27 lb-ft)	□
31	FP-CLM-MECH-FRM-V1	Internal Routing Cable Clamp		
32	FP-CVR-MECH-FRM-V2	Internal Routing Hole Cover		
33	FP-CLM-DUAL-FRM-V1	Internal Routing Dual Clamp		
34	FP-SCW-FLT-M3*10	M3x10 Cable Clamp Screw (Included w/ Clamp)		
35	FP-CLM-DI2-SLV-BLK-V1	DI2 Wire Sleeve for Cable Clamps		
36	FP-GDE-DI2-7*8*5*3.9	7x8mm Cable Guide Ext'd		
37	FP-GDE-DUAL-7*13*5-V1	Extended Dual Wire/Housing Guide		
38	FP-MNT-CG-V1	Chain Guide Mounting Plate		
39	FP-SCW-FLT-M5*12	M5x12 CG Mounting Screw		
40	FP-GKT-BATT-IND-V1	Battery Indicator Gasket		
41	FP-GKT-BATT-CHG-V1	Battery Charging Port Gasket		
42	FP-BLT-M6*8-BLK-V1	M6x8 Battery Cover Bolts	5 Nm (4 lb-ft)	□
43	FP-SCW-SCK-M8*18-R1	M8x18 Motor Mounting Screw	13 Nm (10 lb-ft)	□
44	FP-SCW-SCK-M8*30-R1	M8x30 Motor Mounting Screw	13 Nm (10 lb-ft)	□
45	FP-WSH-8I*12O*1W	M8 Motor Mount Bolt Washer		
46	FP-PRO-SHTLE-CS-V1-R1	E-Bike Carbon Chainstay Protector		
47	FP-PRO-SHTLE-SS-V1-R1	E-Bike Carbon Seatstay Protector		
48	FP-PRO-SHTLE-SP-V1-R1	E-Bike Carbon Skid Plate Protector		
49	FP-PRO-SHTLE-BC-V1-R1	E-Bike Carbon Battery Cover Protector		
50	FP-PRO-SHTLE-SS-EXT-V1-R1	E-Bike Extended Seatstay Protector		
51	FP-GDE-MECH-MTR-V1-R1	Cable Guide for Mechanical Spec		
52	FP-GKT-SHTLE-MOTOR-V1-R1	Motor Skirt for 7000 series motor (Race XT Build ONLY)		
53	FP-PRO-50MM-LL-V1-R1	50mm Lower Link Protector		
99	157MM THROUGH AXLE V3	157mm Thru Axle		○



** See Bearing Assembly Procedure located in the tech specs section at www.pivotcycles.com

* ○ = grease ● = anti-seize ● = anti-seize or grease □ = loctite 243